

## Did you know...

Your water can become contaminated if connections to your plumbing system are not properly protected?

The purpose of the local **Cross Connection Program**, as required by State Plumbing Code and Regulations, is to ensure everyone in the community has safe, clean drinking water.

## It's Public Safety...

To avoid contamination, backflow preventers are required by state plumbing codes wherever there is an actual or potential hazard for a cross connection. The Wisconsin Department of Natural Resources requires all public water suppliers to maintain an on-going Cross Connection Control Program involving public education, onsite inspections, and possible corrective actions by building owners.

## More Information ...

WI Dept. Safety & Professional & Professional Services:

[www.dsps.wi.gov/sb/](http://www.dsps.wi.gov/sb/)

WI Dept. of Natural Resources:

[www.dnr.wi.gov](http://www.dnr.wi.gov)

Environmental Protection Agency:

[www.epa.gov](http://www.epa.gov)

WI Cross Connection Control Resources:

[www.hydrodesignsinc.com/wiccc.html](http://www.hydrodesignsinc.com/wiccc.html)



 **Waukesha Water Utility**

P.O. Box 1648  
Waukesha, WI 53187-1648  
Phone: (262) 521-5272

Email:  
[ContactUs@waukesha-water.com](mailto:ContactUs@waukesha-water.com)

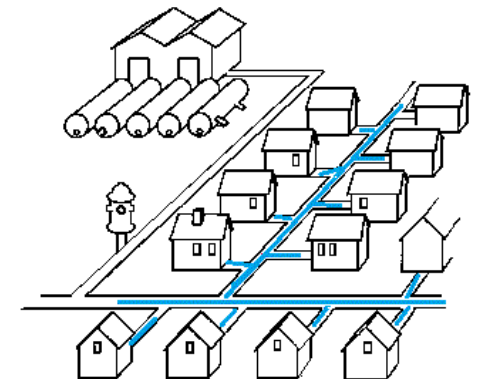
Website:  
[www.ci.waukesha.wi.us/waterhome](http://www.ci.waukesha.wi.us/waterhome)

P. O. Box 1648  
Waukesha, WI 53187-1648  
Phone: 262-521-5272  
Fax: 262-521-5399  
Email: [ContactUs@waukesha-water.com](mailto:ContactUs@waukesha-water.com)

  
**Waukesha Water Utility**

# Could you be contaminating your drinking water?

# Cross Connection Hazards



**We're All Connected**



**Waukesha Water Utility**  
Phone: (262) 521-5272

## What is Cross Connection?

A cross connection is an actual or potential connection between the safe drinking water (potable) supply and source of contamination or pollution. State plumbing codes require approved back-flow prevention devices, assemblies, or the methods to be installed at every point of potable water connection and use. Cross Connections must be properly protected or eliminated.

## How does contamination occur?

When you turn on a faucet, you expect the water to be as safe as when it left the treatment plant. However, certain hydraulic conditions left unprotected within your plumbing system may allow hazardous substances to enter and contaminate your own drinking water or even the public water supply. Water normally flows in one direction to your faucet. However under certain conditions, water can actually flow backwards; this is known as Backflow. There are two situations that can cause Backflow: back siphonage and back pressure.

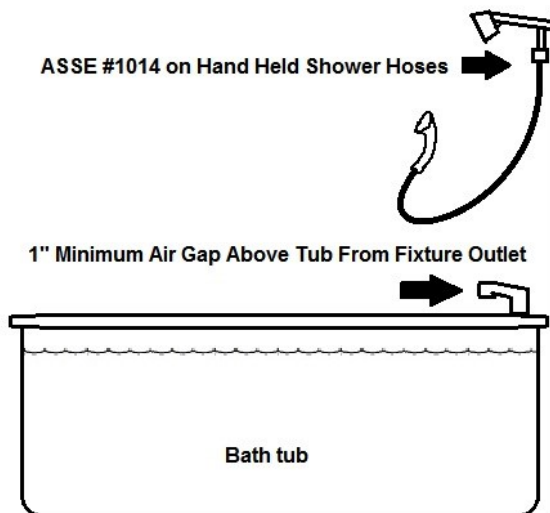
**Back Siphonage:** May occur due to a loss of pressure in the municipal water supply such as from a water main break.

**Back Pressure:** May occur when a source (such as a boiler) creates a greater pressure than the incoming water supply

## In the Bathroom - Hand Held Shower

The hand held shower fixture is compliant if:

- When the shower hose head is hanging freely, it is at least 1 inch above the top of the flood level rim of the receptor (tub)
- Complies with ASSE # 1014
- Has the ASME code 112.18.1 stamped on the handle

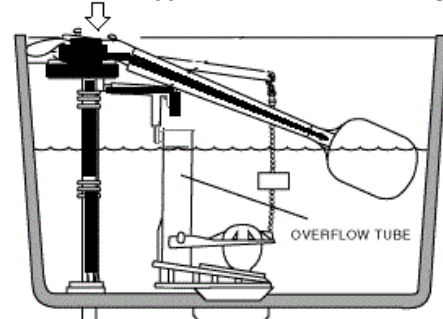


## In the Bathroom—Toilet Tanks

There are many unapproved toilet tank fill valve products sold at common retailers which do not meet the state plumbing code requirements for backflow prevention.

- Look for the ASSE #1002 Standard symbol on device and packaging.
- Replace any unapproved devices with an ASSE #1002 approved anti siphon ball-cock assembly. Average cost for this do-it-yourself-type device available at home improvement stores is \$12 to \$22.
- Verify overflow tube is one inch below critical level (CL) marking on device

### ASSE #1002 Approved Ball Cock Assembly



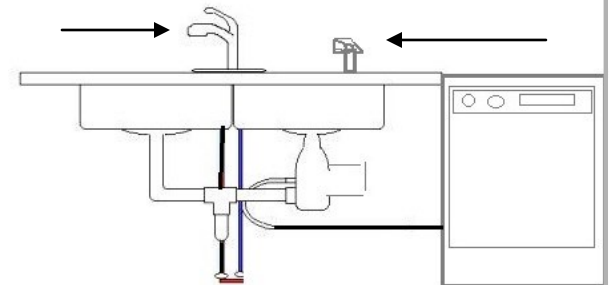
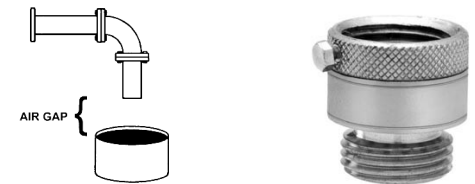
## Do...

- Keep the ends of hoses clear of all possible contaminants.
- Make sure dishwashers are installed with the proper "air gap" device.
- Verify and a simple hose bib vacuum breaker on all threaded faucets around your home.
- Make sure water treatment devices such as water softeners have the proper "air gap", which is a minimum of one inch above the drain.

## Don't...

- Submerge hoses in buckets, pools, tubs, sinks, ponds or automobile radiators.
- Use spray attachments without an approved backflow prevention device
- Connect drain pipes from water softeners or other treatment systems directly to the sewer drain. Always be sure there is a one inch "air gap" separation.

ASSE #1011 Vacuum Breaker



## In the Kitchen

Hoses and water treatment devices may create a potential backflow hazard if not properly isolated with backflow prevention devices or methods.